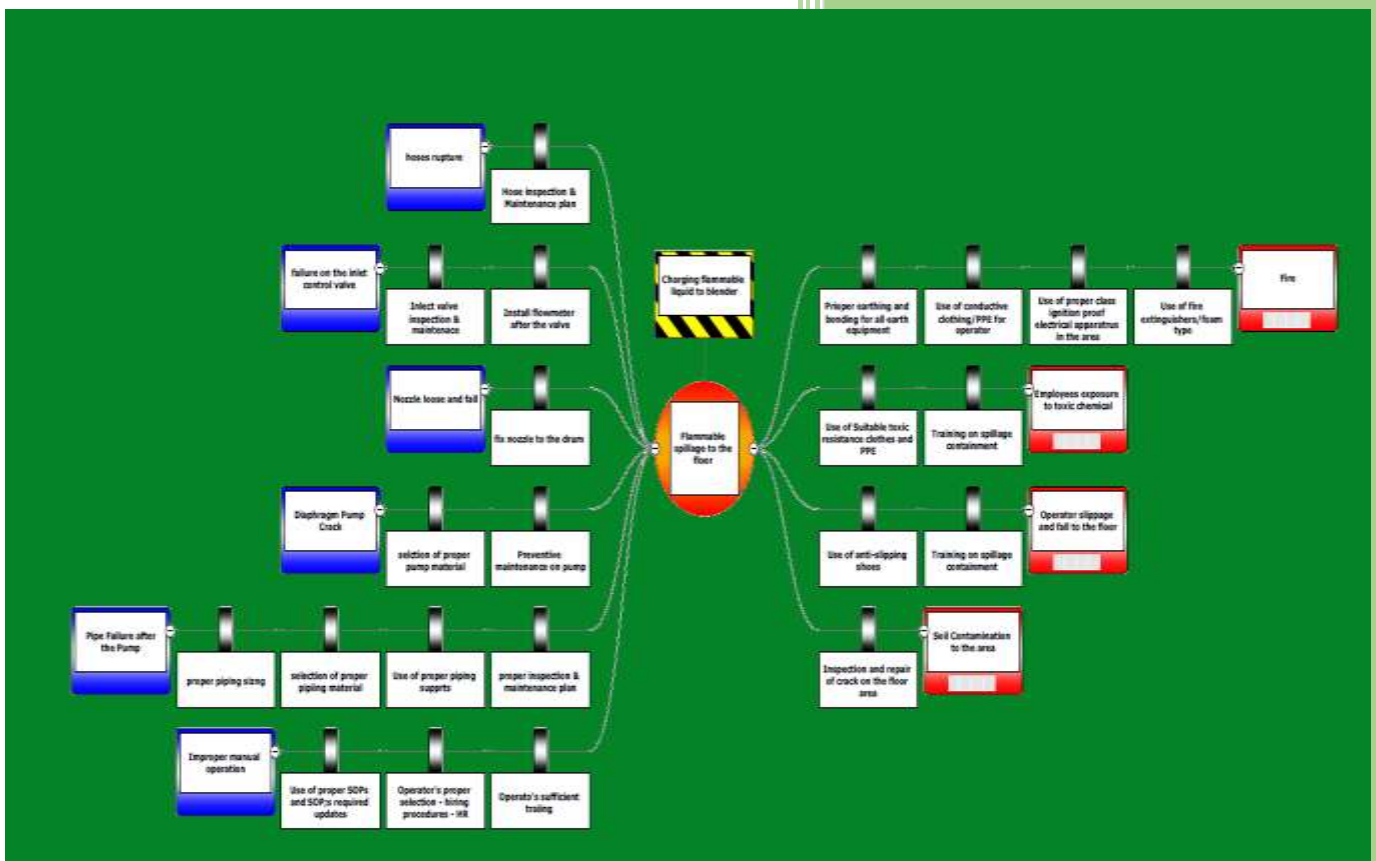


Dec 07-09  
2020

# Bowtie Charts Workshop



Instructor: Manuel Dalas

Falcon Professionals

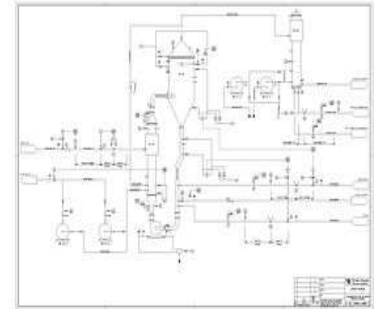


## Who should attend?

This program provides an efficient and practical way of analyzing hazards through bowties for those who are involved in risk and safety and environmental management, mainly within the process industrial environment. This includes engineers, operators and team managers, HSE consultants, risk management practitioners.

## Program Outline (3-days)

- **Theory of risk. Typical risk analysis tools.**
- **What is Hazard in Bowtie charting.**
- **Bow Tie Features / How to use it effectively**
- **Case Studies (Hazards) from process industries**
- **Top Events to be examined and analyzed for the following hazardous cases.**
  - **Storing hazardous & flammable liquids into a tank**
  - **Highly pressurized water boiler operation**
  - **Multistage Compressor / Bearings Lubrication system**
  - **Gas Turbine/ Air Inlet filtration**
  - **Confined Space work during shutdown**
  - **Hot work (welding) during shutdown**



**Bowtie Analysis workshop material softcopies will be provided to the participants during the workshop**

**During this workshop, all cases, with their related P&IDs, will be analyzed through the use of specialized charting software.**

**Participants are welcomed to propose their own cases for analysis.**

**At the end of the workshop, participants will receive an ISO 29990/2010 accredited certificate of appearance.**

- **For more information, please contact +306973332716 (Whatsapp) and/or email us at: [training@falcon-professionals.com](mailto:training@falcon-professionals.com)**

### **TRAINER/INSTRUCTOR:**

**Mr Emmanouel Amygdalas (aka Manuel Dalas)**

**<https://www.linkedin.com/in/emmanouil-amygdalas-30873153/>**

## **Falcon Consulting Professionals**

Thessaloniki, Greece

Email: [training@falcon-professionals.com](mailto:training@falcon-professionals.com),

Web: [falcon-professionals.com](http://falcon-professionals.com)



**Falcon Consulting Professionals are** established in Greece for the last 15 years in the areas of technical consulting and professional training for the local industries. **Falcon** is expanding in GCC, aiming to provide the best consulting and training solutions to the industries of the region. **Falcon's instructors are accredited trainers and highly experienced in their fields, as well as adult training.** We aspire to build our business relationships on mutual trust. The achievement of results with an emphasis on innovation and sustainability, quality, cost analysis and time scheduling are non-negotiable from the conceptual phase of the training sessions to their successful closure.

### **Falcon Consulting Professionals**

Thessaloniki, Greece

Email: [training@falcon-professionals.com](mailto:training@falcon-professionals.com),

Web: [falcon-professionals.com](http://falcon-professionals.com)